

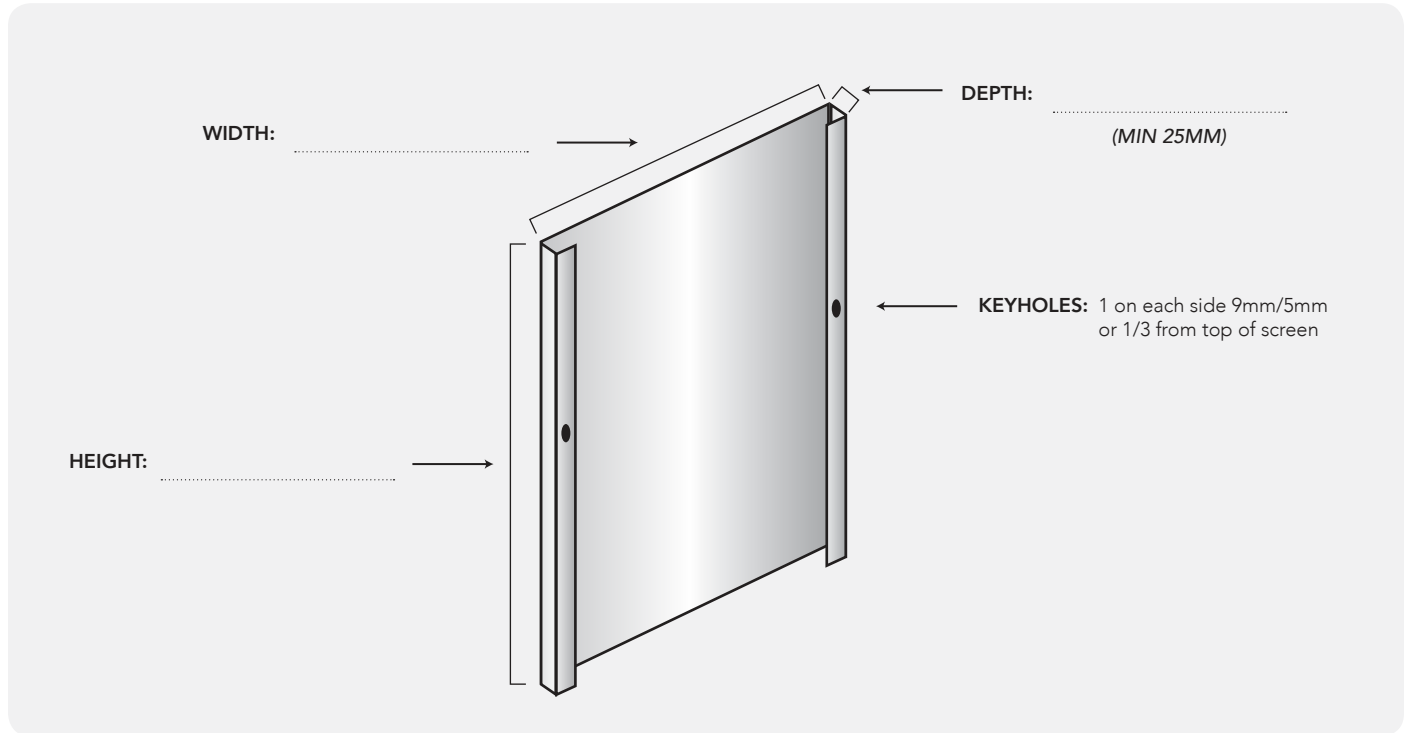
## PURCHASE ORDER

Purchase Order Date: .....

Purchase Order Number: .....

Reference: .....

Colour: .....



**QUANTITY REQUIRED:** .....

*Please quote price and approximate deliver time*

**PRICE:** \$ ..... excluding GST

**APPROX DELIVERY TIME:** .....



Pyroclassic Fires Ltd 917 Karamu Road, Hastings, PO Box 14057 | Ph. (06) 877 0175 | E. info@pyroclassic.co.nz

Visit [www.pyroclassic.co.nz](http://www.pyroclassic.co.nz) for more info