

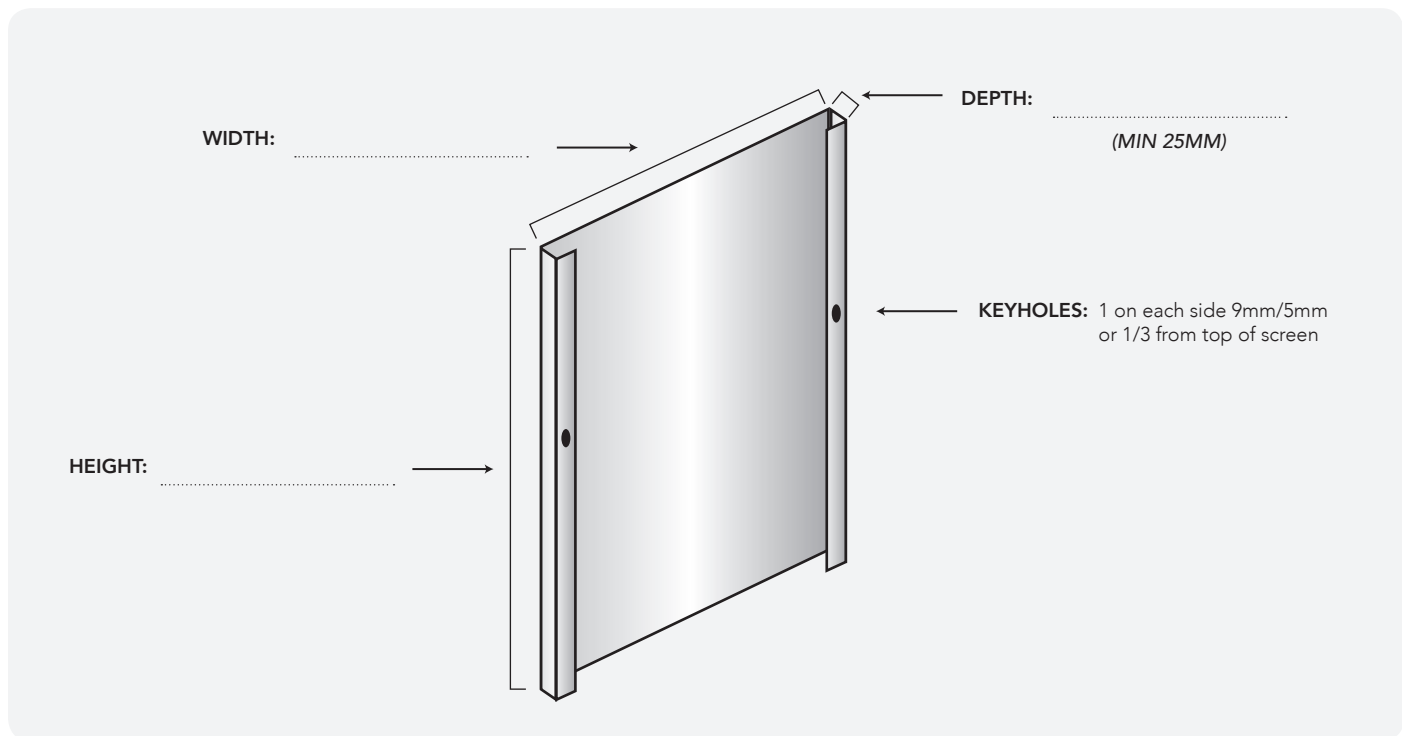
PURCHASE ORDER

Purchase Order Date:

Purchase Order Number:

Reference:

Colour:



QUANTITY REQUIRED:

Please quote price and approximate deliver time

PRICE: \$ excluding GST

APPROX DELIVERY TIME:



Pyroclassic Fires Ltd 917 Karamu Road, Hastings, PO Box 14057 | Ph. (06) 877 0175 | E. info@pyroclassic.co.nz

Visit www.pyroclassic.co.nz for more info