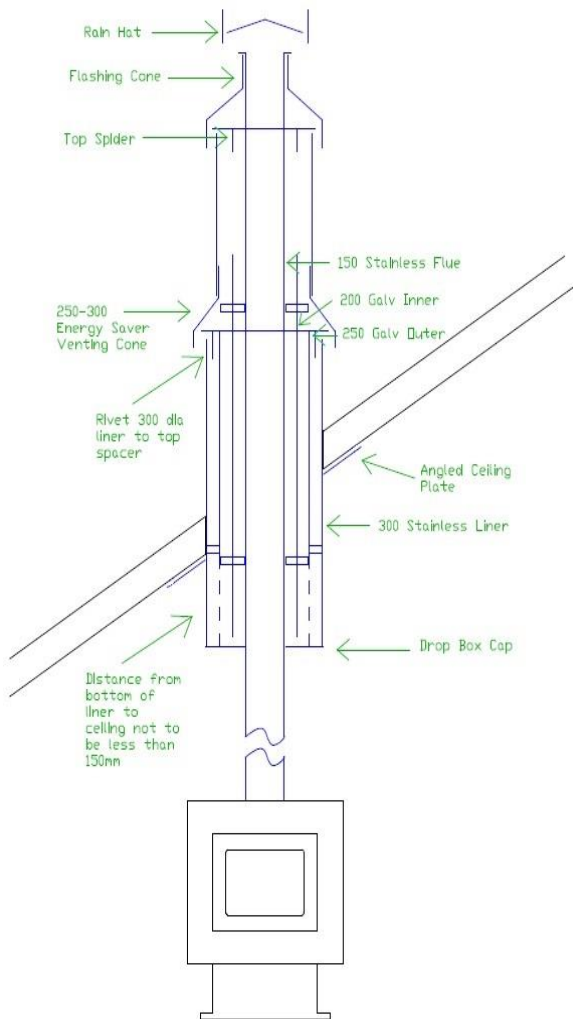


Installation Instruction for Pyroclassic Fires 150mm Sloping Ceiling Flue System 4.2m

TESTED TO APPENDIX F OF AS/NZS2918:2001

MEANING THAT IT CAN BE INSTALLED ON ANY APPLIANCE WHICH HAS BEEN TESTED TO THE OLD OR NEW STANDARD



COMPRISING:

- 1 Stainless Steel Flue Pipe 150 x 610mm
- 1 Stainless Steel Flue Pipe 150 x 1220mm
- 2 Stainless Steel Flue Pipe 150 x 1220mm Painted Hi Therm Flues
- 1 Galvanised Liner Casing 200 x 1220mm + Stainless Steel Brackets
- 1 Galvanised Outer Casing 250 x 1220mm with Perforated Section
+ Stainless Steel lower Brackets, no top crimp
- 1 Stainless Steel Liner 300 x 1150mm
- 1 Stainless Steel Rain hat (Anti-Downdraught Cowl)
- 1 Stainless Steel Flashing Cone
- 1 Stainless Steel Top Spreader
- 1 Packet of Screws
- 1 Ceiling Plate at 30 or 45 degree angle
- 1 Galvanised Slip Joint 1220mm
- 1 Energy Saver Venting Cone
- 1 Stainless Steel Drop Box Cap
- 1 Top Spacer 250-300 with tabs

TESTED TO APPENDIX F OF AS/NZS2918:2001

MEANING THAT IT CAN BE INSTALLED ON ANY APPLIANCE WHICH HAS BEEN TESTED TO THE OLD OR NEW STANDARD

Installation:

These instructions are to be read before installation and used in conjunction with the heating appliance manufacture's installation instructions.

1. Position heater on floor protector in accordance with the correct clearances.
2. Mark the penetration centre in the ceiling and roof using a plumb line.
3. Cut a rectangular hole in the ceiling to suit 300mm liner and trim with noggins to support outer casing.
4. Cut a 300mm rectangular hole in the roofing material and trim with noggins to support outer casing.
5. Fix 300 diameter stainless steel liner through ceiling and roof on 4 tangential contact points, with a minimum of 150mm from the lowest part of the ceiling to the bottom of the 300 diameter liner.
6. Fix appropriate flashing around outer casing to the roof to ensure a weather proof seal.
7. Fit the 300 diameter blanking cap inside the 300 diameter liner. Rivet in place.
8. Fit the 250 Galvanised outer liner with perforations into the 300 diameter stainless steel liner until it rests on the blanking cap.
9. Fit the 250-300 top spacer with tabs to the top of the 250 galvanised liner.
10. Put rivets through the 300 stainless steel liner into the tabs on the 250-300 top spacer to fasten the two together.
11. Fit the 250-300 Energy Saver venting cone into the 250 galvanised liner.
12. Drop the 200 galvanised liner inside the 250 liner, crimped end up.
13. Fit 150 stainless steel flue with crimped end down into position. Placing the ceiling plate into position on top of the fire first. Ensure all seams are in line. Fix each joint with three stainless steel rivets and seal. Flue must extend 200mm above outer liner for correct fitting of rain cap. Extra sections of flue and liners may be added to achieve the correct clearance above the roof.
14. Fit the 253 galvanised slip liner over the top of the energy saver venting cone, trimming the length of the liner may be required to achieve the correct height.
15. Fit top spacer to the top of the 150 diameter flue and tighten. Slide cone over the flue and fit the rain cap. Do not fasten rain cap to facilitate removal for cleaning.
16. Fix ceiling plate to the ceiling, maintaining an even gap around the liner with screws provided.

CAUTION: Mixing of appliance or flue system components from different sources or modifying the dimensional specifications of components may result in hazardous conditions. Where such action is considered the manufacturer should be consulted in the first instance.

WARNING: The appliance and flue system shall be installed in accordance with AS/NZS2918:2001 and the appropriate requirements of the relevant building code or codes.

1. The flue pipe shall extend not less the 4.6m above the top of the floor protector.
2. The flue cowl must be at least 600mm above the highest point of the roof if within 3 metres of is, or 1 metre above the roof penetration if more than 3 metres from the ridge.

No part of the building, or any adjacent building may be in or above a circular area of a horizontal radius of 3 metres

Recommendations:

- Foley Industries recommends that this product is installed by a registered installer
- This product has sharp edges and gloves must be worn during installation
- The wood used in conjunction with Foley Flues must be dry and untreated, only plain paper and newspaper should be used to prevent premature deterioration of the flue and appliances
- Foley Industries recommends having your flues swept by a professional chimney sweep before the first use each season.

