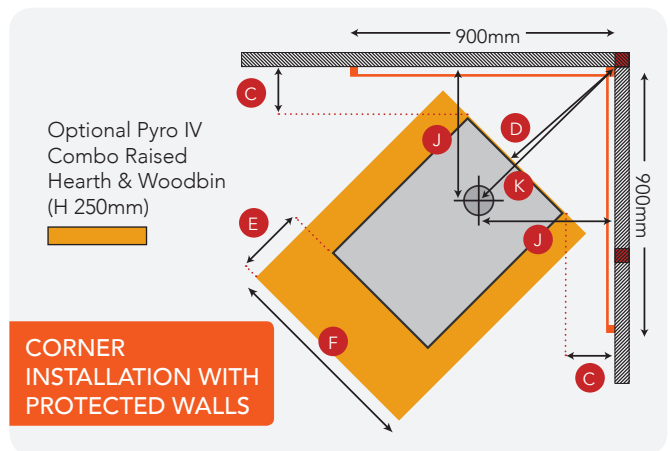
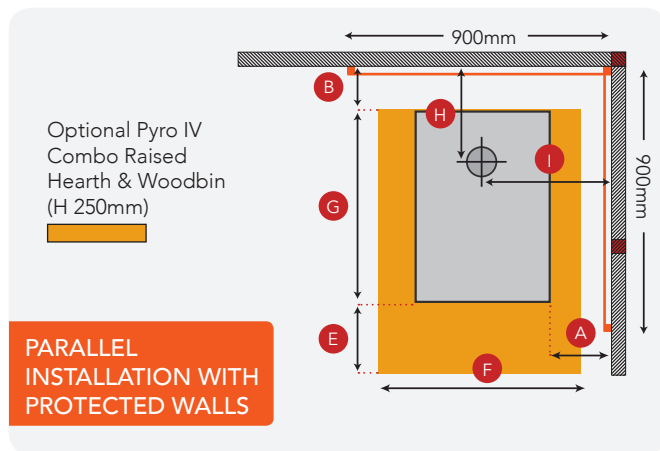




PYROCLASSIC: FIRE TO WALL CLEARANCES



PYROCLASSIC INSTALLED WITH WALL SCREENS

Note: Flue shield not required

	A	B	C	D	E*	F	G	H	I	J	K
IV	145mm	105mm	115mm	390mm	300mm	680mm	650mm	245mm	373mm	370mm	530mm
Mini	145mm	105mm	115mm	390mm	300mm	680mm	460mm	245mm	373mm	370mm	530mm

PYROCLASSIC INSTALLED WITH DOUBLE FLUE SHIELD

Note: Wall screens not required

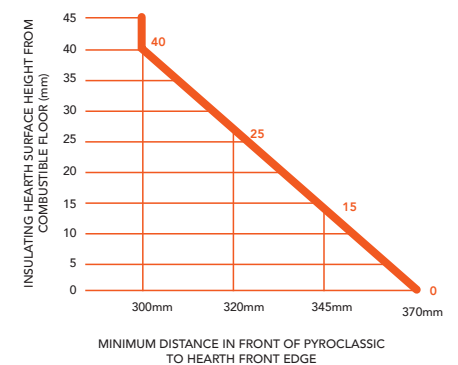
	A	B	C	D	E*	F	G	H	I	J	K
IV	290mm	270mm	170mm	456mm	300mm	680mm	650mm	410mm	518mm	421mm	596mm
Mini	290mm	270mm	170mm	456mm	300mm	680mm	460mm	410mm	518mm	421mm	596mm

PYROCLASSIC INSTALLED WITH COMBUSTIBLE OR UNPROTECTED WALLS

	A	B	C	D	E*	F	G	H	I	J	K
IV	480mm	350mm	370mm	740mm	300mm	680mm	650mm	490mm	708mm	623mm	880mm
Mini	480mm	350mm	370mm	740mm	300mm	680mm	460mm	490mm	708mm	623mm	880mm

* measurements pertain to E Calculator graph

* 'E' MEASUREMENT CALCULATOR



HEARTH REQUIREMENTS

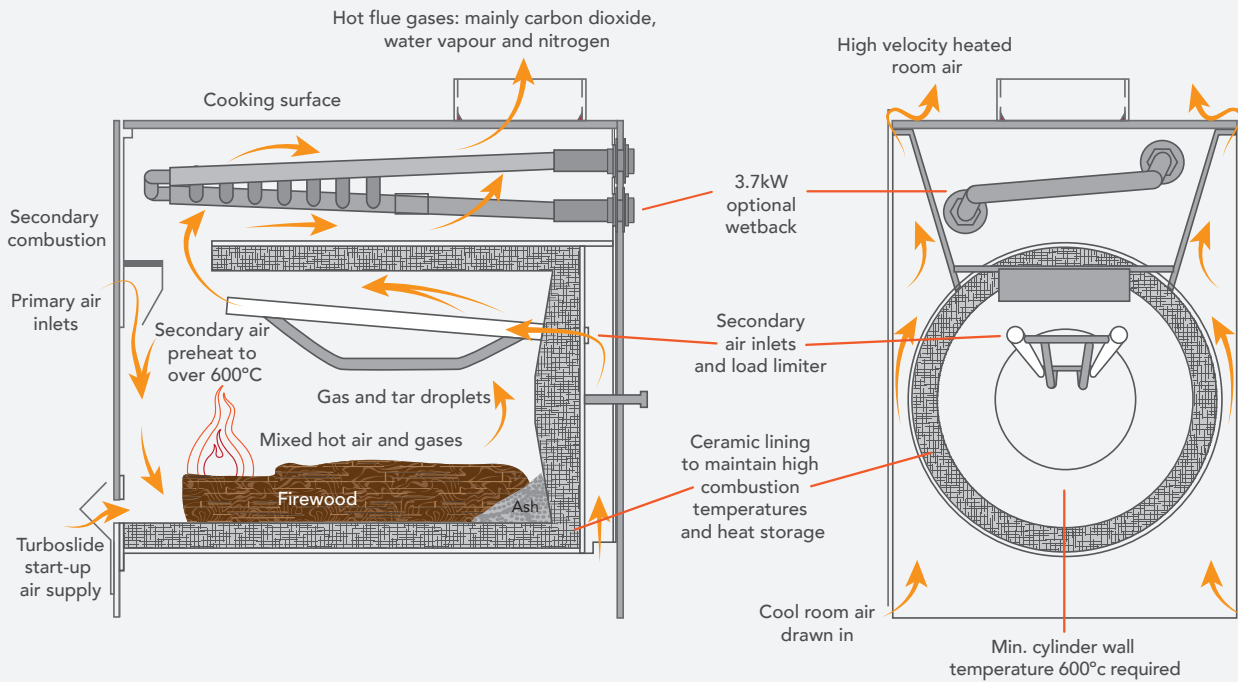
If the insulating hearth is installed flush with the surrounding combustible floor, there must be a minimum distance of 370mm from the front of the fire to the front edge of the hearth. The minimum width of the insulating hearth must not be less than 680mm with the fire centred from each side of the hearth. If the hearth is raised, the floor protector area at the front can be reduced as per the 'E' Measurement Calculator, for example; the large Pyroclassic Raised Hearth & Woodbin is 250mm high, allowing for a reduction in the area between the floor protector and the front of the fire from 370mm to 300mm.

As an alternative to our hearth and wood bin options, you can use a minimum of 20mm+ thick insulated board with a non-combustible top or 50mm+ thick masonry slab.

The small raised Woodbin options require a **minimum of a 4mm thick** layer of non-combustible material installed underneath to meet all the necessary clearances e.g. tiles or steel to the correct 'E' measurement.



HOW A PYROCLASSIC WORKS



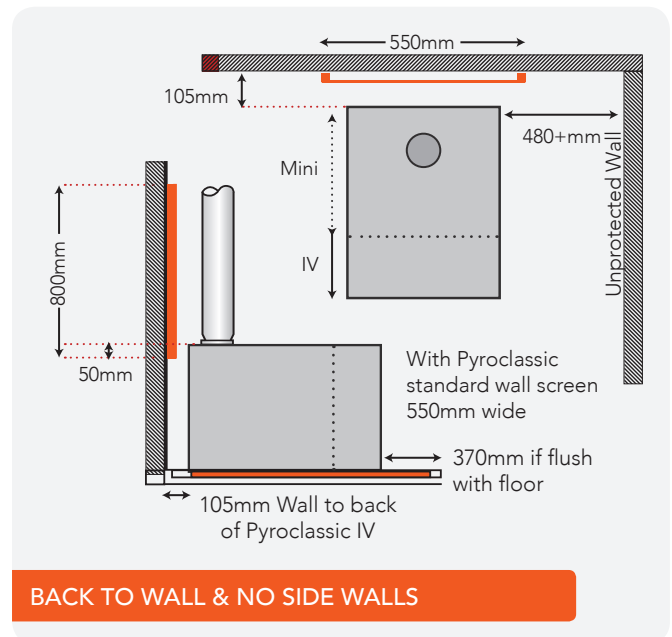
*Please note: 12hr+ overnight burn claims are based on the Pyroclassic IV installed with our Eco Flue Kit with sufficient flue draw and fuelled with dry, hardwood logs.

WALL SCREENS

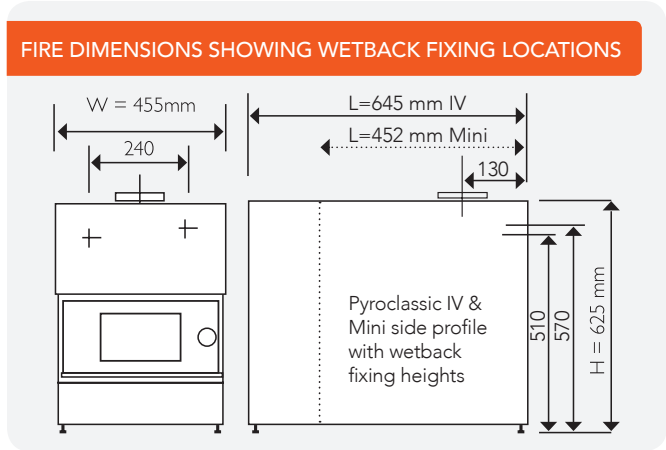
Pyroclassic Fires can be installed with a double skin half round flue shield or for minimum clearances from combustible walls a correctly sized wall screen must be installed.

Alternatively you can install a Pyroclassic Fire without wall screens if you chose to use a non-combustible wall board product such as Eterpan, Supalux or Promina board and install it as per the manufacture specifications. Usually this involves ensuring a 25mm air gap is maintained between the wall board and any timber framing, through the bottom, up between the combustible surface and the screening material and out of the top.

In some instances the wall may not contain any combustible material and therefore will not require any screening. Pyroclassic wall screens now have an easy to install hanging system which requires just 2 fixing holes per screen.



BACK TO WALL & NO SIDE WALLS



Disclaimer: +/- 2mm measurement variation.

PYROCLASSIC IV & MINI SPECIFICATIONS

- Weight:** (IV) Approximately 140kg (Mini) Approximately 100kg
- Maximum heat output:** (IV) >15kW (Mini) >10kW
- Fuel consumption:** (IV) 1.1kg/hr (Mini) 0.9kg/hr
- Emission rate:** 0.3g/kg (Dry and Wet)
- Efficiency rate:** (IV) 74% space heating (Dry) 83.3% with wetback (65.3% space, 18% water) (Mini) 66.5% space heating (Dry) 67.5% with wetback (58.7% space, 8.8% water)
- Air control:** Primary & secondary, fully automatic
- Start up control:** Manually adjustable Turboslide
- Cooktop area:** (IV) 2,600cm² -10mm plate (Mini) 1,700cm² -10mm plate