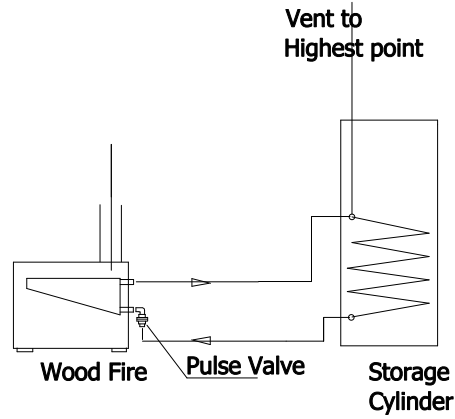
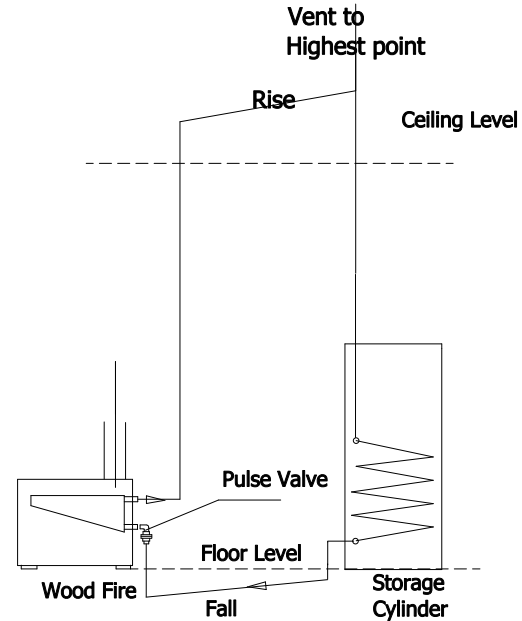


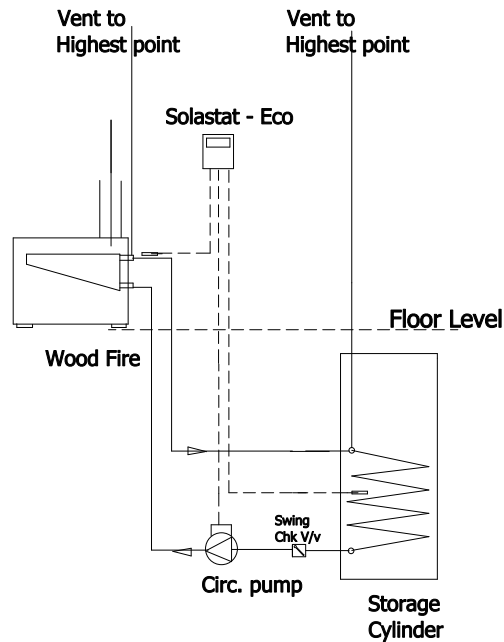
Wetback: (Fig.2) Alternative setup to Standard



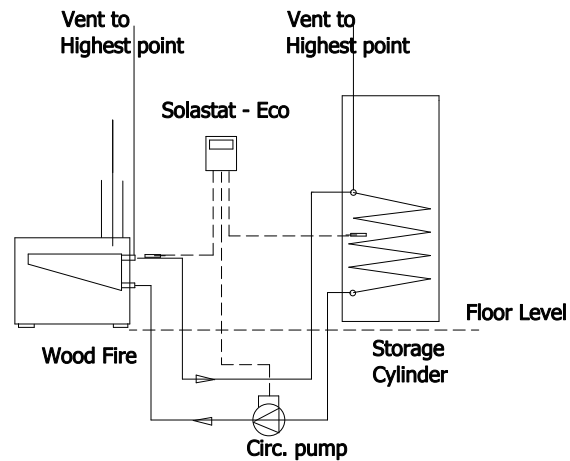
If the cylinder is located below the minimum differential height (Refer std wetback setup -330 mm) then it is recommended to fit a pulse flow valve.



Under/Over system needs to be set up as above with a pulse flow valve to eliminate "back Syphoning"



If the storage cylinder is on a lower level than the fire it is recommended to fit a pump and a control thermostat.



If both connecting pipes are below floor level it is recommended to fit a pump and control thermostat.

